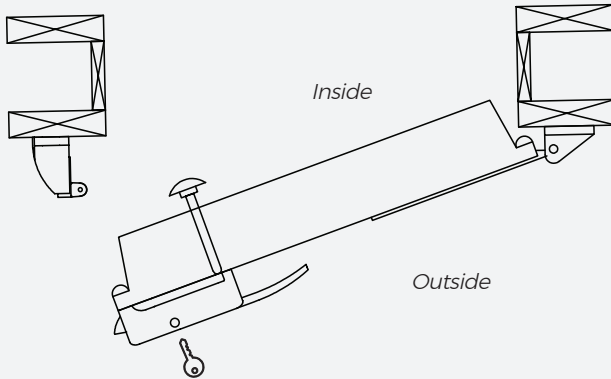


*Begin by standing on the outside (secure side), facing the door.
The secure side is typically the side where you would insert the key.*

RIGHT HAND REVERSE (RHR)



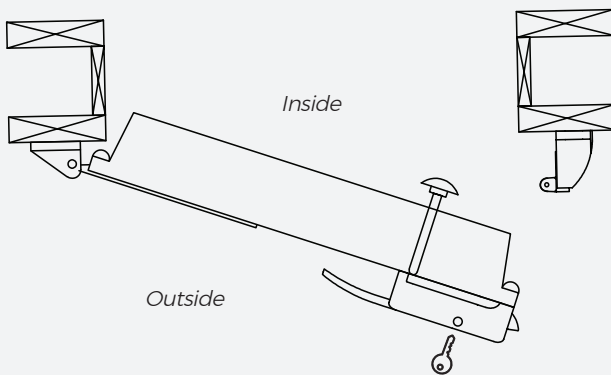
The exit device is always mounted on the inside of the door.

The door is **hinged on the right** and the door **pulls towards** you.

At Weiland, the INFIT Cooler/Freezer doors are always RHR or LHR - as they swing OUT away from the colder side and toward the secure side.

PANIC Bars or BUMP Bars will always be a REVERSE as they swing OUT of the building.

LEFT HAND REVERSE (LHR)



The exit device is always mounted on the inside of the door.

The door is **hinged on the left** and the door **pulls towards** you.

At Weiland, the INFIT Cooler/Freezer doors are always RHR or LHR - as they swing OUT away from the colder side and toward the secure side.

PANIC Bars or BUMP Bars will always be a REVERSE as they swing OUT of the building.

THERE IS NO EQUAL