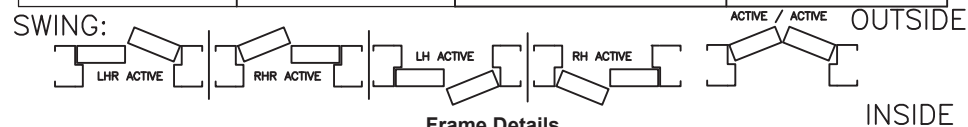


WEILAND SS DOUBLE PERSONNEL DOOR

Door		W.I.C.	6'-0"
Quantity		H.I.C.	7'-0"
Swing:		Wall Thickness	



Frame Details

Frame Type:

5³/₄" 16-GA. SS 304-4 Brushed Standard Frame: _____
 16-GA. SS 304-4 Brushed Two-Part Frame: _____

Hinges:

4 SS Standard Weight 4¹/₂" x 4¹/₂" Hinges: _____

Gaskets:

Door Silencers: _____ Silicone Smoke/Weatherseal-NGP 5050C: _____
 Pro Series SS Adjustable Jamb Mounted Gasket: _____
 CS Series Aluminum Adjustable Jamb Mounted Gasket: _____

Door Details

Door Panel: 1-3/4" SS 16 Ga. 304-4 Brushed Door: _____

Closer:

Pro Series Closer with SS Painted Arm: _____ SS Cover Upgrade: _____
 CS Series Closer with Aluminum Painted Steel Arm: _____ SS Cover Upgrade: _____

Vision Panel:

SS Vision Panel:
 5" x 28": _____ 12" x 18": _____ 22" x 28": _____
 1/4" Scratch Resistant Polycarbonate: _____
 1" Clear Tempered Insulate Glass, Argon Filled: _____
 Safety Film: Yes / No One Side: _____ Both Sides: _____
 Stainless Steel Flush 20" x 30" x 3/8" Polycarbonate Vision Panel: 1/4" Poly 1" Glass

Exit/Entry:

SS Push/Pull Set: _____
 CS Series CYLINDRICAL LEVER: Passage Lever: _____ Lever Lockset: _____ Function: _____
 Pro Series MORTISE LEVER: Passage Lever: _____ Lever Lockset: _____ Function: _____
 Pro Series SS PANIC BAR: Exit Only: _____ Passage Trim: _____ Lever Lockset: _____ Function: _____
 CS Series Painted PANIC BAR: Exit Only: _____ Passage Trim: _____ Lever Lockset: _____ Function: _____
 Electric Hardware Needed: _____

Kick Plate:

SS 304-4 Brushed
 8" Tall: _____ 12" Tall: _____ 28" Tall: _____ Push Side: _____ Pull Side: _____ Both Sides: _____

Sweep:

Pro Series SS Bottom Sweep Gasket with Neoprene Seal: _____
 CS Series Aluminum Bottom Sweep Gasket with Neoprene Seal: _____

Threshold:

Pro Series Stainless Steel Threshold: _____ Pro Series HDPE Threshold: _____
 CS Series Fiberglass Threshold: _____ CS Series Aluminum Threshold: _____
 CS Series Thermally Broken Aluminum Threshold: _____

MISC:

SS Center Astragal: _____ Pro Series EPDM Seal Astragal with SS Retainer: _____
 SS Removable Center Mullion: _____ SS Drip Cap: _____ Wall Stop: _____ Floor Stop: _____
 Top & Bottom Surface Bolts: _____
 Other: _____ **USDA Compliant:** Yes

CAUTION

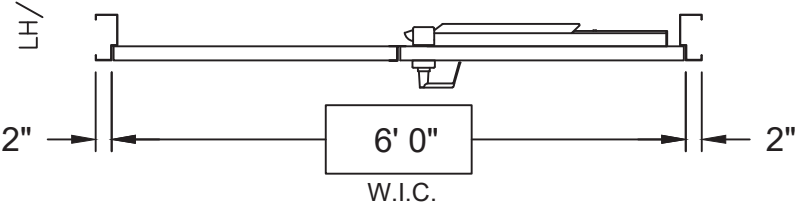
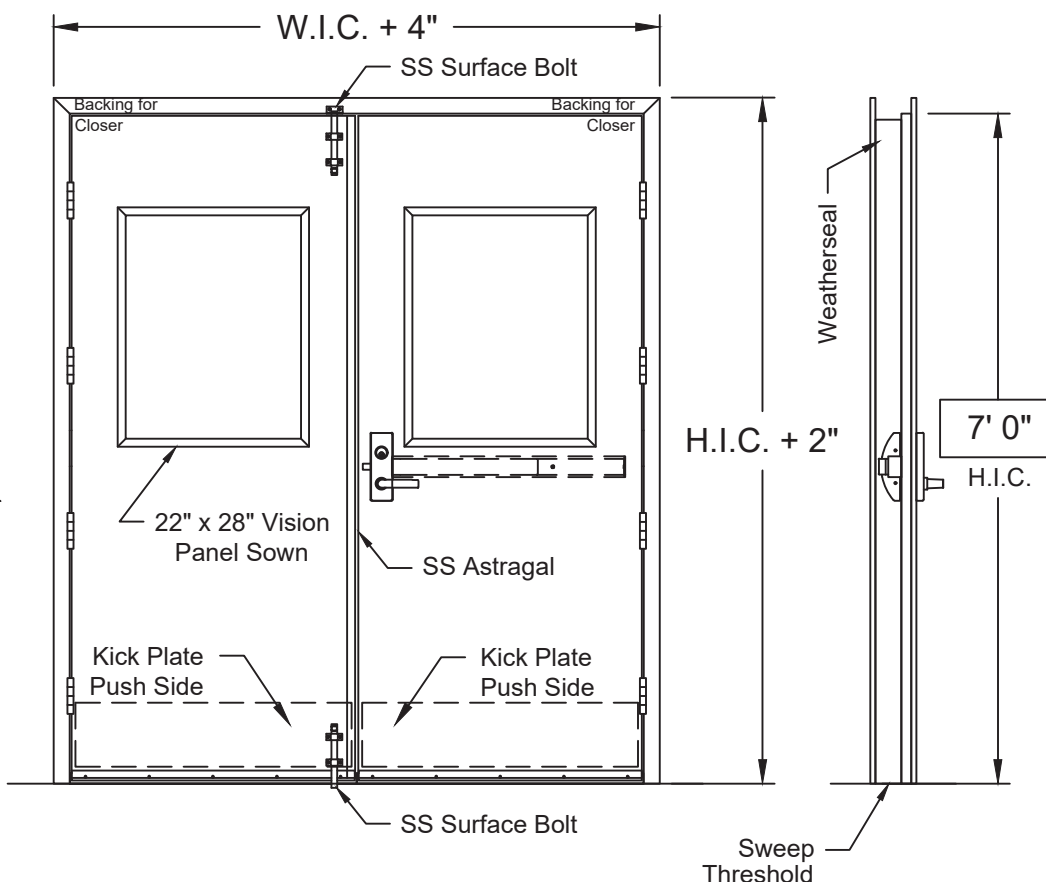
Approved

Approved,
as noted

Signature: _____

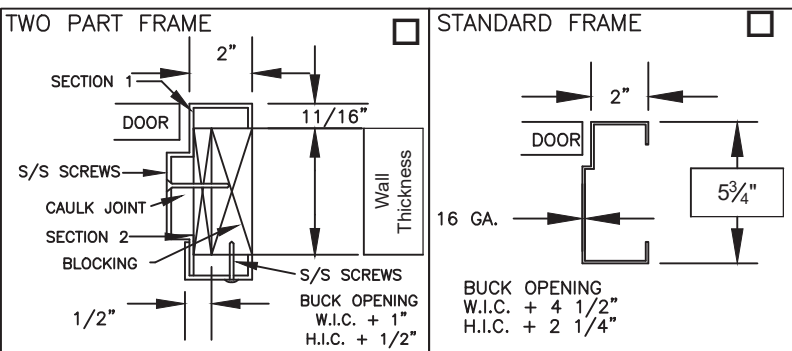
Date: _____

LH/RHR ACTIVE SWING SHOWN - RH/LHR ACTIVE SWING IS MIRROR IMAGE



Closer Location	
<input type="checkbox"/>	PUSH SIDE
<input type="checkbox"/>	PULL SIDE
Surface Bolts Location	
<input type="checkbox"/>	PUSH SIDE
<input type="checkbox"/>	PULL SIDE

SHOP DRAWINGS NOT APPROVED IN 45 DAYS ARE SUBJECT TO REPRICING & SURCHARGES



This shop drawing will be used during the manufacturing process, as approved. Weiland, Inc. has made every effort to interpret your requirements accurately, as reflected in this drawing. Your products will be built in accordance with this drawing and invoiced as such. Additional costs may be incurred to make changes once production has begun. If an error exists, make changes accordingly and return to Weiland, Inc. for corrections. Weiland, Inc. holds no responsibility for approved shop drawings with errors. By Signing the "Approved" box, you are approving the production specifications.