

WEILAND DOORS SPLIT JAMB STAINLESS STEEL WINDOW FRAME

Window		W.I.C.	4' 0"
Quantity		H.I.C.	3' 0"
Wall Type		Frame Throat	

Window Details

Frame Type:

16 ga. 304-4 Stainless Steel, Split Jamb, Thermally Broken, Squared Jambs & Header, W/ Sloped Sill on Both Sides (45° Slope Sill on Front Trim)

Glazing Type:

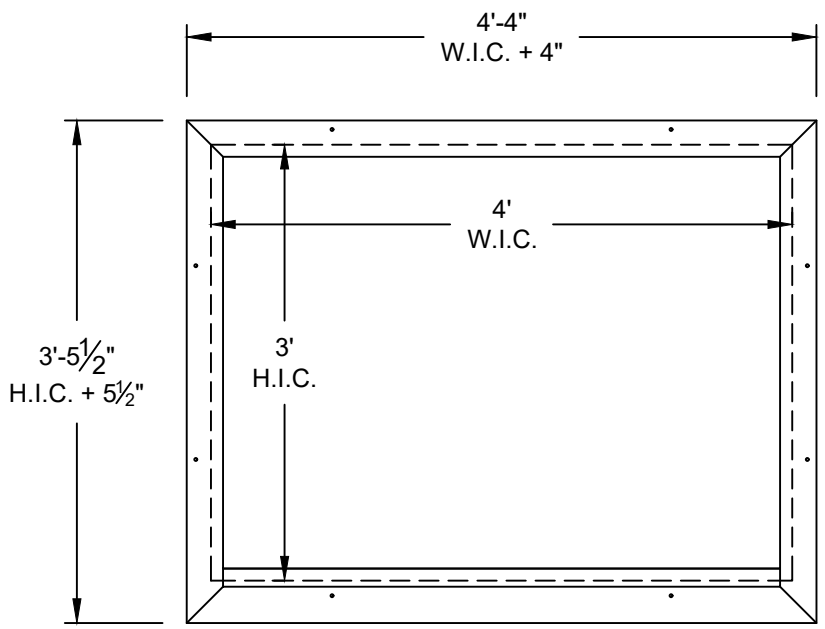
- 1/4" Scratch Resistant Polycarbonate
- 3/8" Scratch Resistant Polycarbonate
- 1/2" Scratch Resistant Polycarbonate
- 1" Clear Tempered Insulate Glass, Argon Filled
- Safety Film on 1" Glass:
 - One Side
 - Both Sides

Wall Thickness: _____

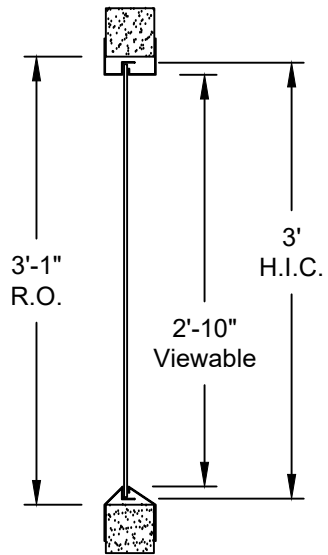
USDA Compliant: Yes

USP 797 + 800 Compliant: Yes

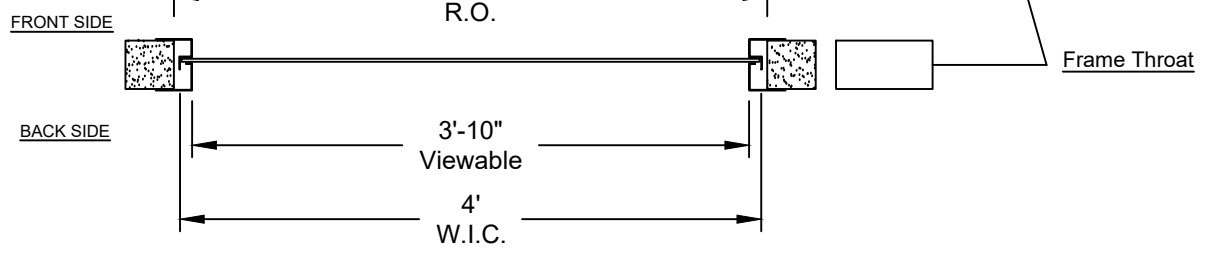
FRONT VIEW



FRONT SIDE BACK SIDE

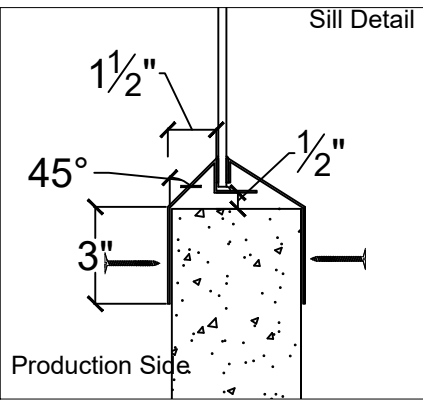


FRONT SIDE

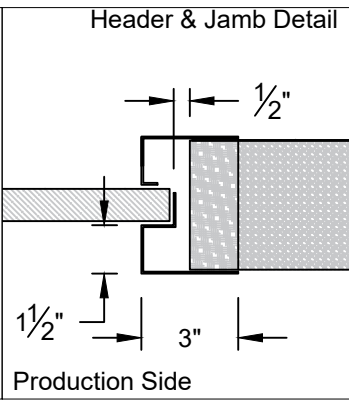


Frame Throat

Sill Detail



Header & Jamb Detail



SHOP DRAWINGS NOT APPROVED IN 30 DAYS ARE SUBJECT TO REPRICING & SURCHARGES

Approved Approved, as noted

Signature: _____

Date: _____

