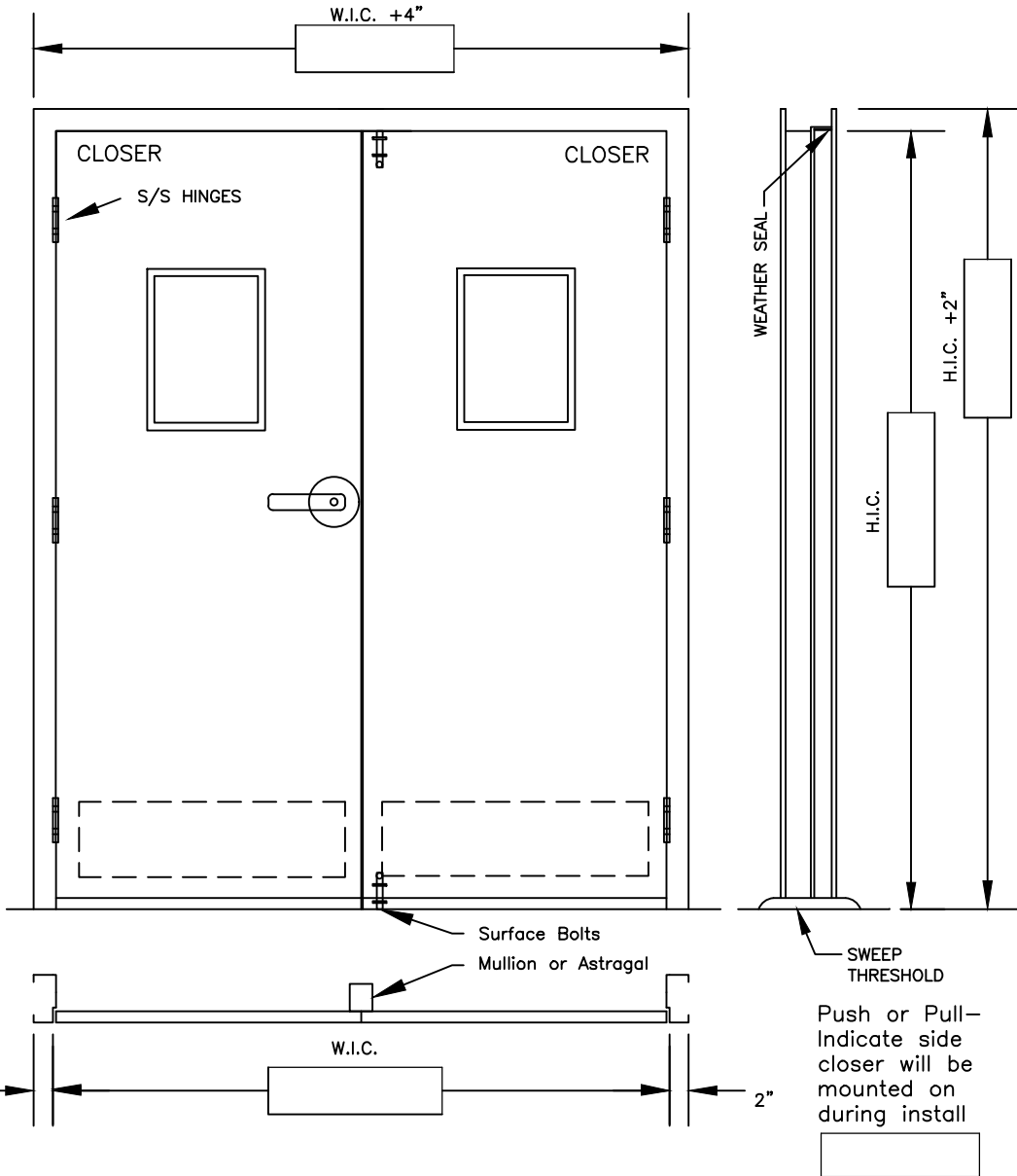
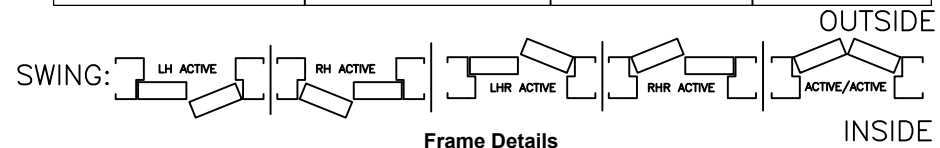


LHR/RH SWING SHOWN - LH/RHR SWING IS MIRROR IMAGE



WEILAND FIBERGLASS DOUBLE PERSONNEL DOOR

| | | | |
|----------|--|----------------|--|
| Door | | W.I.C. | |
| Quantity | | H.I.C. | |
| Swing: | | Wall Thickness | |



Frame Details

Frame Type:
 4" Molded Fiberglass Frame: ___ 16-GA. SS 304-4 Brushed Two-Part Frame ___
 5 3/4" 16-GA. SS 304-4 Brushed Standard Frame: ___ Foam Filled: ___

Hinges:
 3 SS Standard Weight 4 1/2" x 4 1/2" Hinges: ___

Gaskets:
 Door Silencers: ___ Silicone Smoke/Weatherseal-NGP: ___
 Jamb Mounted Gasket W/ SS Retainer: ___ Jamb Mounted Gasket W/ Alum. Retainer: ___

Door Details

Door Panel: 1-3/4" Molded Fiberglass Door: ___

Closer:
 HD SS Closer W/ Plastic Cover: ___ HD Aluminum Closer W/ Plastic Cover: ___
 SS Cover Upgrade: ___

Vision Panel:
 SS Vision Panel:
 5" x 20": ___ 12" x 18": ___ 20" x 32": ___
 1/4" Scratch Resistant Polycarbonate: ___
 Clear Tempered Insulate Glass, Argon Filled: ___ Safety Film: Yes / No
 Fiberglass Flush 20" x 30" x 3/8" Polycarbonate Vision Panel: ___

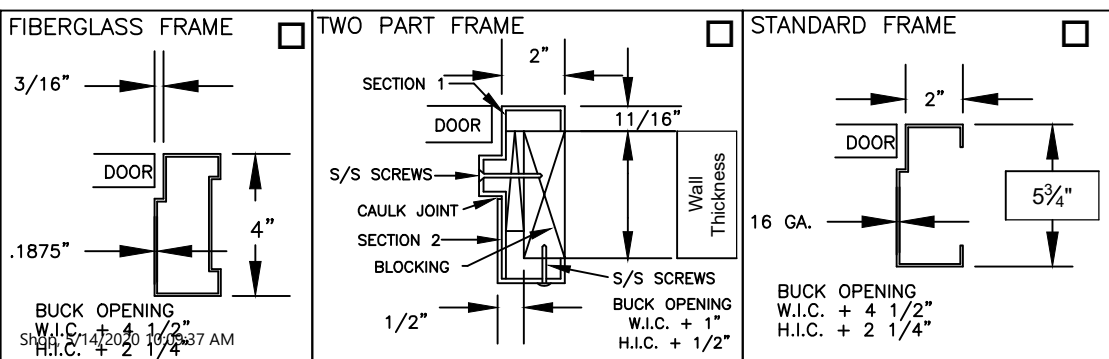
Exit/Entry:
 SS Push/Pull Set: ___
 DORMA CYLINDRICAL LEVER: Passage Lever: ___ Lever Lockset: ___
 DORMA MORTISE LEVER: Passage Lever: ___ Lever Lockset: ___
 SS HD DORMA PANIC BAR: Exit Only: ___ Passage Trim: ___ Lever Trim: ___
 PAINTED DORMA PANIC BAR: Exit Only: ___ Passage Trim: ___ Lockset Trim: ___

Kick Plate: SS 304-4 Brushed
 9" Tall: ___ 12" Tall: ___ Push Side: ___ Pull Side: ___ Both Sides: ___

Sweep:
 Neoprene Sweep Gasket W/ SS Retainer: ___ Neoprene Sweep Gasket W/ Alum. Retainer: ___

Threshold:
 Stainless Steel Threshold: ___ HDPE Threshold: ___ Fiberglass Threshold: ___
 Aluminum Threshold: ___ Thermally Broken Aluminum Threshold: ___

MISC:
 SS Astragal: ___ Center EPDM Astragal W/ SS Retainer: ___
 SS Removable Center Mullion: ___ SS Drip Cap: ___ Wall Stop: ___ Floor Stop: ___
 Top & Bottom Surface Bolts: ___
 Other: _____ **USDA Compliant:** Yes



CAUTION

This shop drawing will be used during the manufacturing process, as approved. Weiland, Inc. has made every effort to interpret your requirements accurately, as reflected in this drawing. Your products will be built in accordance with this drawing and invoiced as such. Additional costs may be incurred to make changes once production has begun. If an error exists, make changes accordingly and return to Weiland, Inc. for corrections. Weiland, Inc. holds no responsibility for approved shop drawings with errors. By Signing the "Approved" box, you are approving the production specifications.

Approved Approved, as noted

Signature: _____

Date: _____

