

D-240 11" 2 Post Reversible Self-Closing Hinge



HINGES

FEATURES

- Hole compatible with Kason 1240 Hinge
- Heavy duty, 2-post hinge
- Reversible swing, no assembly required
- Ultra rugged design
- 1/2" lift
- Easy opening, smooth self-closing action
- Always supplied with stainless steel 3/8" pivot pin
- Corrosion resistant alloy Aluminum or Stainless Steel 316 construction

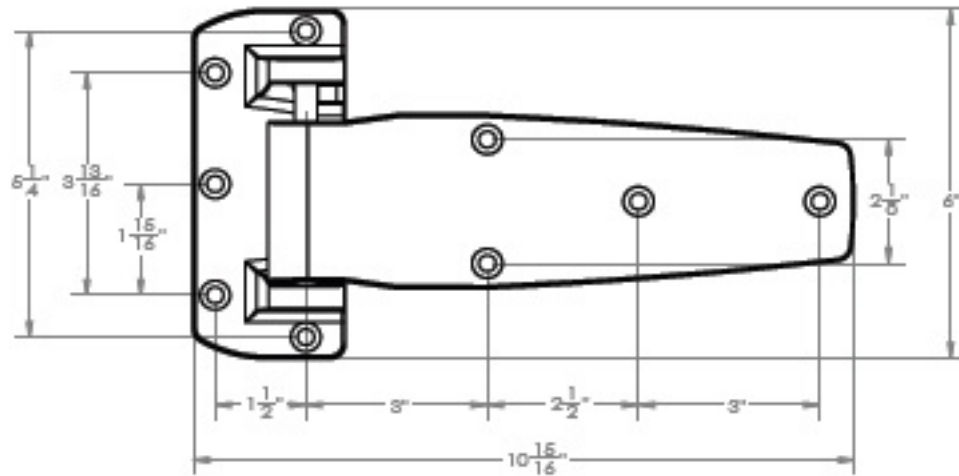
DENT
DESIGN HARDWARE

1-800-598-DENT
www.dent-mfg.com

Fax: 610-262-1870
sales@dent-mfg.com

D-240 11" 2 Post Reversible Self-Closing Hinge

HINGES



SPECIFICATIONS

Overall Length: 11"

Materials: Aluminum or Stainless Steel 316

Finishes: Polished Aluminum and Stainless
Brushed Aluminum and Stainless
Edurakote Gray or White

*Other finishes and coatings available upon request

Offsets: 1 3/8"

Screw Holes: 1/4" Hole, 82° Countersunk

Shipping Weight: Aluminum 3.5 lbs / pair, Stainless 10.5 lbs / pair

Hinge Load Capacity: Aluminum 200 lbs / pair for a 3' door,
Stainless 300 lbs / pair for a 3' door

DENT
DESIGN HARDWARE

1-800-598-DENT
www.dent-mfg.com

Fax: 610-262-1870
sales@dent-mfg.com