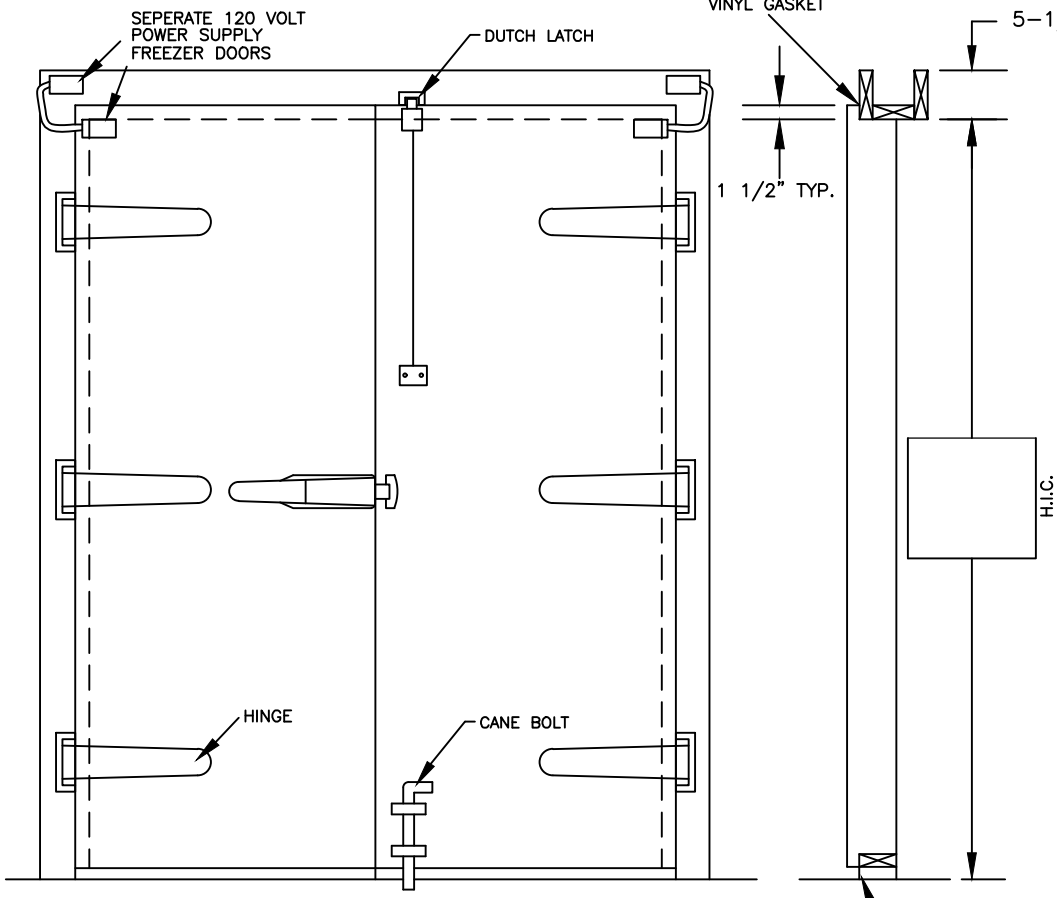


LHR ACTIVE SWING SHOWN - RHR ACTIVE IS MIRROR IMAGE

WEILAND INFITTING HINGED DOUBLE DOOR



Door		W.I.C.	
Quantity		H.I.C.	
Swing		Wall Thickness	

Frame Details

Casing Type:
 16 Ga. 304-4 Brushed Stainless Steel: ___ 24 Ga. 304-4 Brushed Stainless Steel: ___
 26 Ga White Painted Stucco Finish: ___

Sill Type:
 Flush Sill: ___ Modified Sill: ___ High Sill 1: ___ High Sill 2: ___ Mod. Flush Sill: ___

Hinges:
 3 Stainless Steel Cam Rise Hinges: ___ 3 Polished Aluminum Cam Rise Hinges: ___
 Pilfer Proof Fasteners: ___

Temperature:
 Interior: ___ Exterior: ___

Door Details

Door Panel:
 4" Molded Fiberglass: ___
 4" 16 Ga. 304-4 Brushed Stainless Steel: ___ 6" 16 Ga. 304-4 Brushed Stainless Steel: ___
 4" 20 Ga. 304-4 Brushed Stainless Steel: ___ 6" 20 Ga. 304-4 Brushed Stainless Steel: ___
 4" 26 Ga. White Stucco Embossed Galv.: ___ 6" 26 Ga. White Stucco Embossed Galv.: ___

Closer:
 Stainless Steel Barrel Closer: ___

Vision Panel:
 10" x 10": ___
 1/2" Scratch Resistant Polycarbonate: ___
 Clear Tempered Insulated Glass, Argon Filled: ___
 Safety Film: Yes / No
 Clear Tempered Insulated Glass, Heated: ___
 Safety Film: Yes / No

Exit/Entry:
 SS Kason Padlockable Latch w/ Inside Safety Release: ___
 Stainless Steel Bump Bar: ___
 Chrome Kason Padlockable Latch w/ Inside Safety Release: ___
 Stainless Steel Bump Bar: ___
 SS HD DORMA PANIC BAR: Exit Only: ___ Passage Trim: ___ Lever Trim: ___
 Painted DORMA PANIC BAR: Exit Only: ___ Passage Trim: ___ Lockset Trim: ___

Kick Plate: SS 304-4 Brushed
 9" Tall: ___ 36" Tall: ___ Push Side: ___ Pull Side: ___ Both Sides: ___

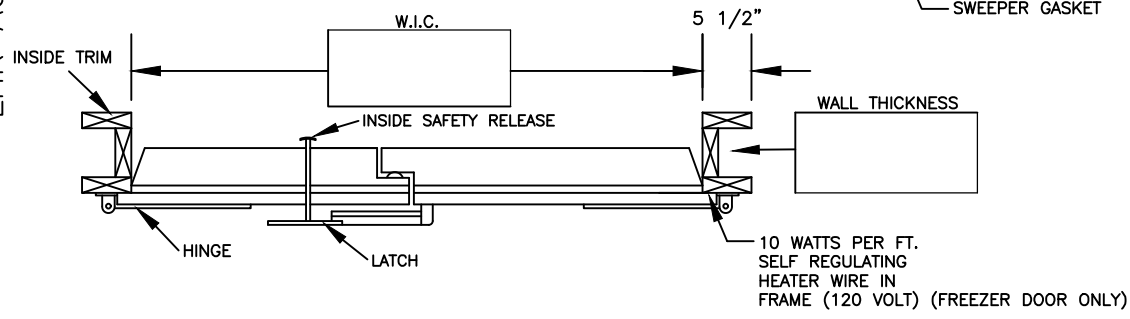
MISC:
 Cane Bolt: ___ Dutch Latch: ___ SS Drip Cap: ___ Galv. Drip Cap: ___
 SS Threshold: ___ Other: _____

USDA Compliant: Yes

Approved Approved, as noted

Signature: _____

Date: _____



Flush Sill <input type="checkbox"/>	Mod. Flush <input type="checkbox"/>	High Sill 1 <input type="checkbox"/>	High Sill 2 <input type="checkbox"/>	Mod. High Sill <input type="checkbox"/>
Buck Opening W/ Jambs W.I.C. + 4" H.I.C. + 2"	Buck Opening W/ Jambs W.I.C. + 4" H.I.C. + 2"	Buck Opening W/ Jambs W.I.C. + 4" H.I.C. + 2"	Buck Opening W/ Jambs W.I.C. + 4" H.I.C. + 2"	Buck Opening W/ Jambs W.I.C. + 4" H.I.C. + 2"
Buck Openings W/O Jambs W.I.C. + 0" H.I.C. + 0"	Buck Openings W/O Jambs W.I.C. + 0" H.I.C. + 0"	Buck Openings W/O Jambs W.I.C. + 0" H.I.C. + 0"	Buck Openings W/O Jambs W.I.C. + 0" H.I.C. + 0"	Buck Openings W/O Jambs W.I.C. + 0" H.I.C. + 0"

