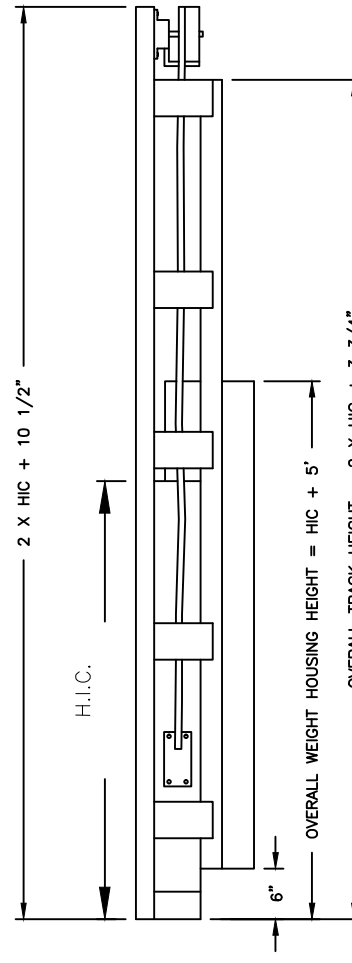
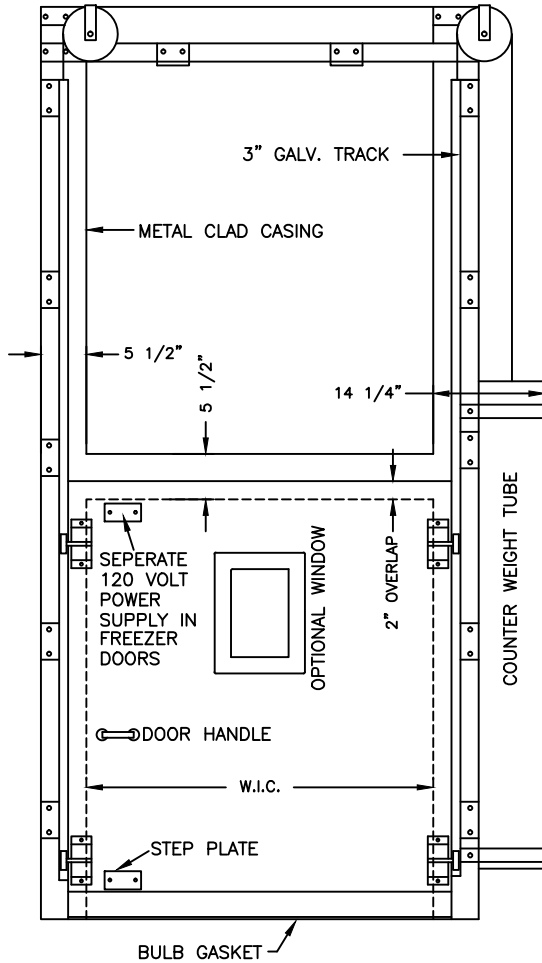


WEILAND MANUAL VERTICAL SLIDE DOOR

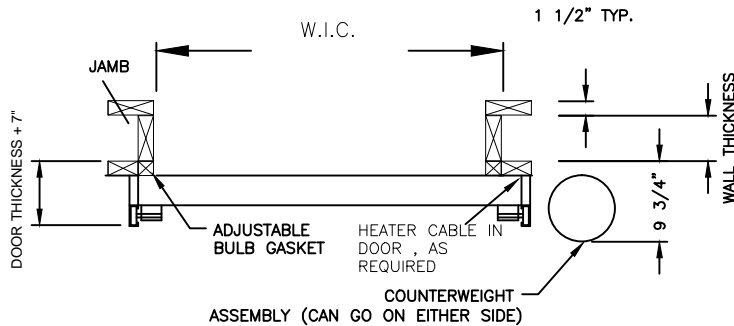
DOOR NO. DOOR QUANTITY DOOR SIZE: W.I.C.
 H.I.C.



- DOOR PANEL: F.I.P. POLYURETHANE INSULATION CORE
 - 3" Thick Door _____
 - 4" Thick Door _____
 - 5" Thick Door _____
 - 6" Thick Door _____
- COOLER FREEZER INDUSTRIAL
- DOOR
 - MOLDED FIBERGLASS (WHITE) _____
 - WHITE STUCCO EMBOSSED GALV. _____
 - MILL FINISH GALV. _____
 - STAINLESS STEEL _____
- DOOR CASEMENTS
 - WHITE STUCCO EMBOSSED GALV. _____
 - MILL FIN. GALV. _____
 - STAINLESS STEEL _____
- DOOR TRIM
 - GALVANIZED STEEL _____
 - STAINLESS STEEL _____
- OPTIONS
 - HEATER CABLE-FREEZER DOOR (4 SIDES) _____
 - JAMBS _____
 - WALL DEPTH _____
 - INSIDE TRIM (1 1/2" x 5 1/2" STD.) _____
 - MIRRORED IMAGE HEADER _____
 - KICK PLATE _____
 - GALVANIZED STEEL STAINLESS STEEL
 - STD. HEIGHT 12" 18" 24" 36"
 - ONE SIDE TWO SIDES
 - LOCKING DEVICE _____
 - VISION PANEL (12" x 18" x 1/2") _____
 - INSULATED GLASS POLYCARBONATE
 - HEATED
 - U.S.D.A. APPROVAL _____

CHANGES, REMARKS, ETC. _____

BUCK OPENING WITH JAMBS
 W.I.C. + 4"
 H.I.C. + 2"
 BUCK OPENING WITHOUT JAMBS
 W.I.C. + 0"
 H.I.C. + 0"



WEILAND MANUAL VERTICAL SLIDE DOORS include: door panel, door casings covered with 26 ga. metal in any of several coverings which include white acrylic stucco embossed galvanized steel, mill finished galvanized steel, aluminum, or stainless steel, F.I.P. polyurethane insulation core, adjustable bulb type neoprene gaskets, heavy duty hardware and track with corrosion resistant coatings, all exposed seams sealed, door track angled down for a tight seal, 120 volt self regulating heater cable in freezer doors.

APPROVED BY _____

DATE _____

Weiland
 MANUAL VERTICAL SLIDE DOOR
 WEILAND INC.
 55242 HIGHWAY 32
 MADISON, NE 68748-6136
 (402) 454-2106
 www.weilanddoors.com