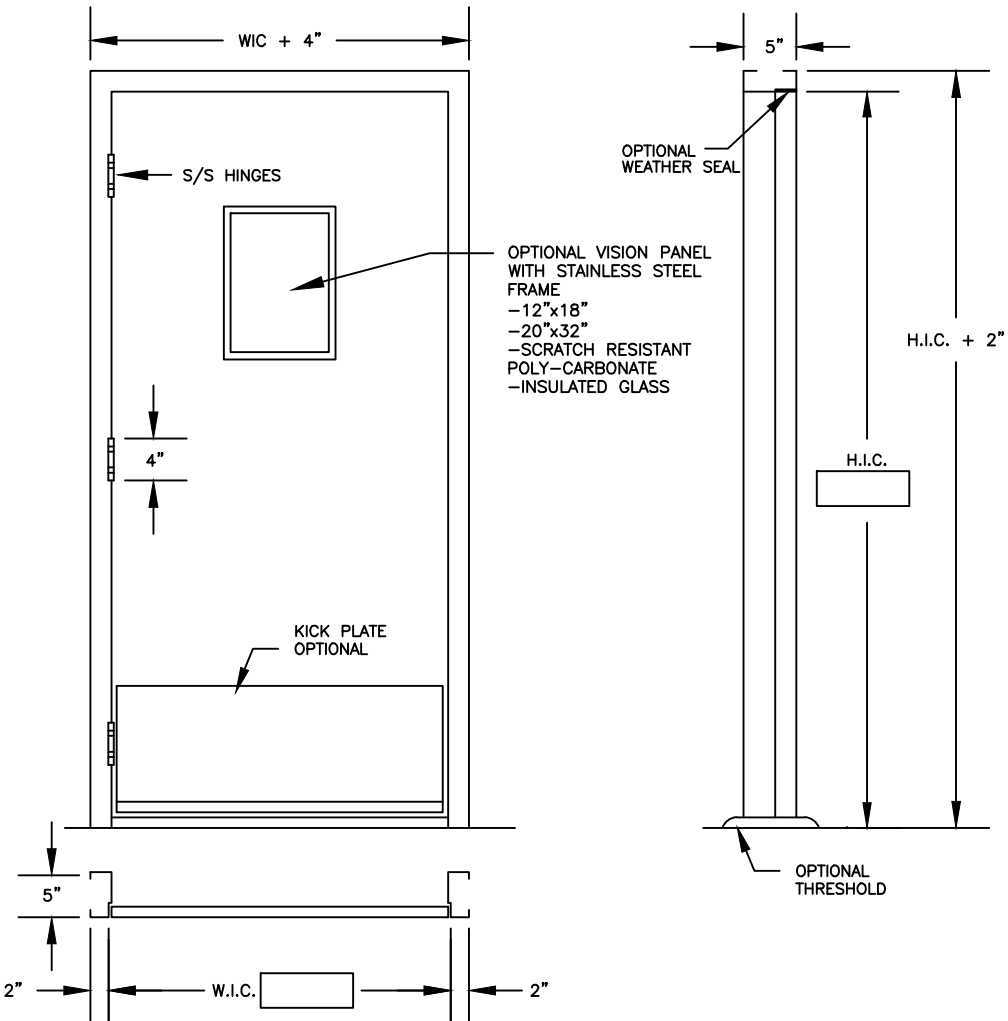


Customer & PO#

WEILAND PERSONNEL DOOR

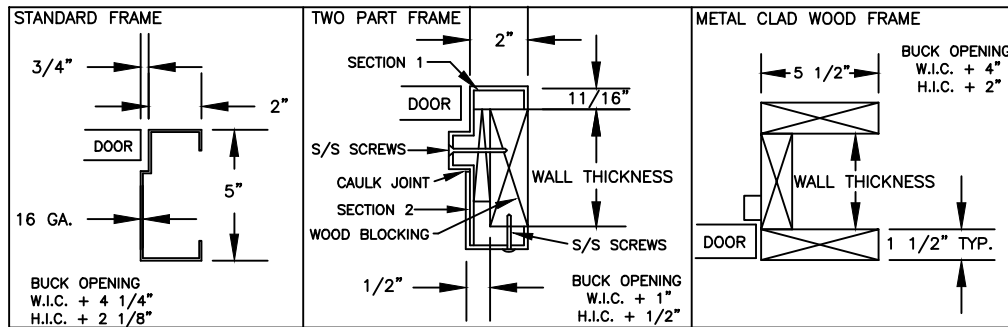


DOOR NO. DOOR QUANTITY DOOR SIZE: W.I.C.
 H.I.C.

HAND OF DOOR

LH [] RH [] INSIDE [] LHR [] RHR []

- DOOR PANEL
 1 3/4" MOLDED FIBERGLASS INSULATED - WHITE STANDARD
 OPTIONAL COLOR
 STAINLESS STEEL
 WHITE PAINTED STUCCO EMBOSSED GALVANIZED STEEL
 - DOOR FRAMES NOTE: HINGES ARE STAINLESS STEEL; 5 KNUCKLE; 2 BALL BEARING
 STANDARD FRAME - 5" STANDARD DEPTH
 OPTIONAL FRAME DEPTH _____ INCHES
 TWO PART FRAME
 JAMB THICKNESS? _____ INCHES
 MATERIAL: 16 GA. 304 STAINLESS STEEL
 16 GA. MILL FINISHED GALVANIZED STEEL
 16 GA. PAINTABLE GALVANEALD STEEL
 METAL CLAD WOOD FRAME - TWO PART FRAME
 JAMB THICKNESS? _____ INCHES
 METAL: STAINLESS STEEL
 GALVANIZED STEEL
 WHITE PAINTED GALVANIZED STEEL
 - STANDARD HARDWARE OPTIONS
 - PASSAGE LATCH - PDQ GT SERIES LEVER _____
 - SECURITY LOCK SET - PDQ XGT SERIES LEVER - ANSI F81 _____
 - ROCKWELL 70B STAINLESS STEEL PUSH PLATE _____
 - ROCKWELL 122 x70B STAINLESS STEEL PULL PLATE AND HANDLE _____
 - PANIC BAR - DORMA 9300 SERIES, E.O., STAINLESS STEEL _____
 - DORMA YR08 EXTERIOR LEVER, STAINLESS STEEL
 - KICK PLATE - WEILAND, INC. - 16 ga. _____
 GALVANIZED STEEL STAINLESS STEEL
 BOTH SIDES HEIGHT _____
 - THRESHOLD - NATIONAL GUARD ALUMINUM - WEILAND STAINLESS _____
 - WEATHER SEAL - NATIONAL GUARD 5050-C, SELF SEAL _____
 - SWEEP SEAL - WEILAND INC _____
 - VISION PANEL - WEILAND STAINLESS STEEL FRAME _____
 SIZE 12" X 18" 20" X 32"
 LAMINATED GLASS 1/2" INSULATED GLASS
 1/4" SCRATCH RESISTANT POLYCARBONATE
 - HD CLOSER - DORMA 8900 SERIES STAINLESS STEEL ARM _____
 - SD CLOSER - NORTON 7500 _____
 - HALF SURFACE HINGES - WEILAND _____
 NOTE: FOR MOUNTING DOOR IN PRIME PAINTED STEEL FRAME MFG. BY OTHERS.
 - STAINLESS STEEL LOUVER - WEILAND _____
 - U.S.D.A. APPROVAL _____
- CHANGES, REMARKS, ETC. _____



APPROVED BY _____
 DATE _____

Weiland
 PERSONNEL DOOR
 WEILAND INC.
 55242 HIGHWAY 32
 MADISON, NE 68748-6136
 (402) 454-2106
 www.weilanddoors.com