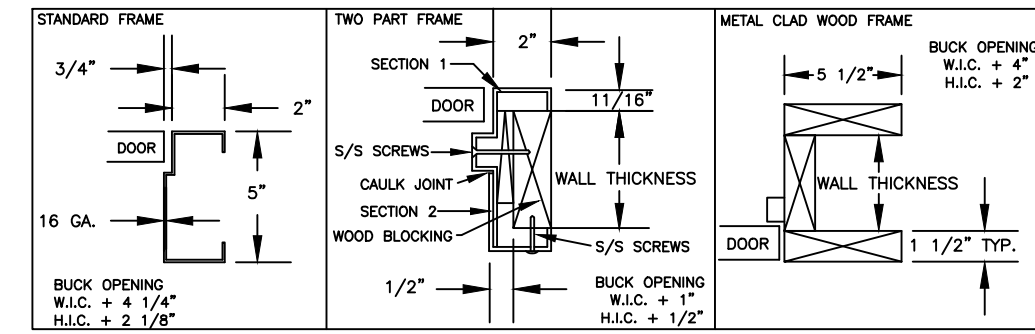
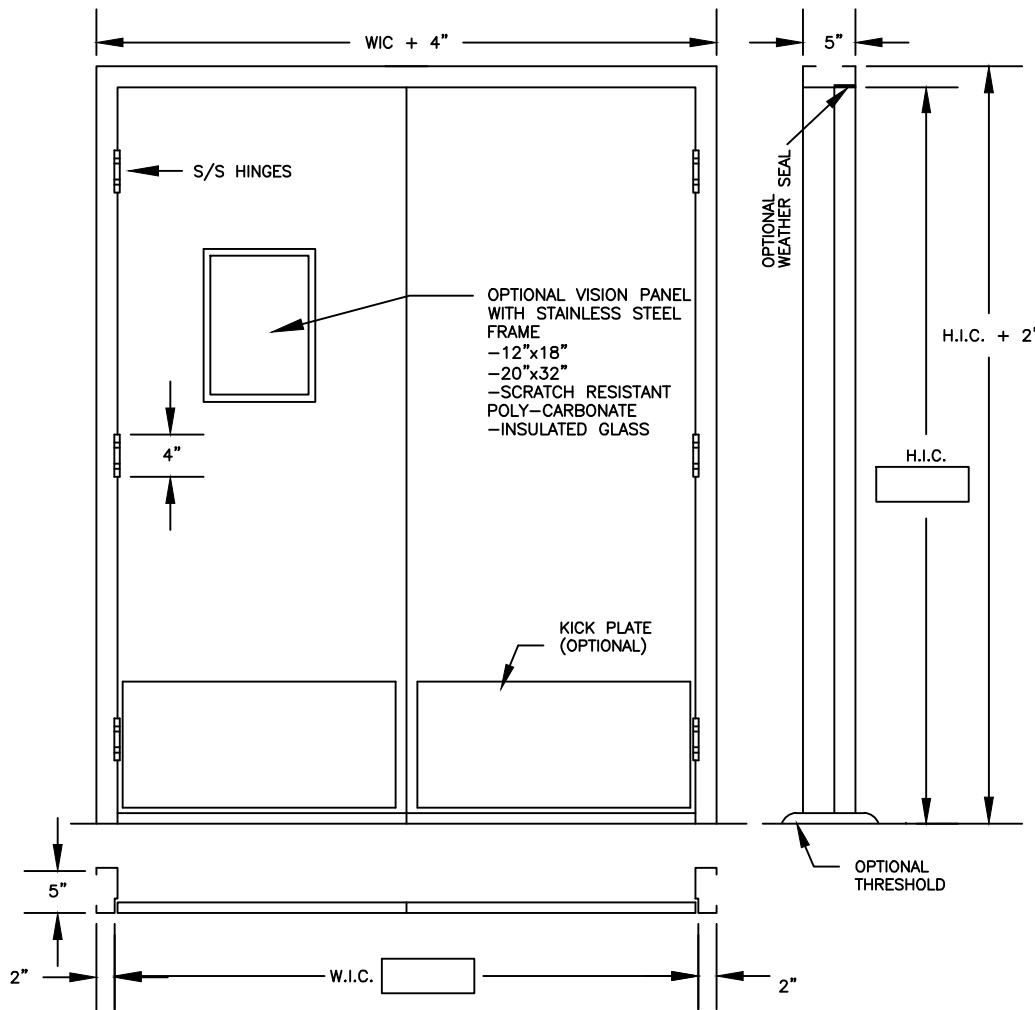


Customer & PO#



# WEILAND DOUBLE PERSONNEL DOOR

DOOR NO.  DOOR QUANTITY  DOOR SIZE: W.I.C.   
 H.I.C.

HAND OF DOOR  
 RH ACTIVE  LH ACTIVE  RHR ACTIVE  LHR ACTIVE  LHRH ACTIVE

- DOOR PANEL
  - 1 3/4" MOLDED FIBERGLASS INSULATED - WHITE STANDARD
  - OPTIONAL COLOR
  - STAINLESS STEEL
  - WHITE PAINTED STUCCO EMBOSSED GALVANIZED STEEL
- DOOR FRAMES NOTE: HINGES ARE STAINLESS STEEL; 5 KNUCKLE; 2 BALL BEARING
  - STANDARD FRAME - 5" STANDARD DEPTH
  - OPTIONAL FRAME DEPTH \_\_\_\_\_ INCHES
  - TWO PART FRAME \_\_\_\_\_
  - JAMB THICKNESS? \_\_\_\_\_ INCHES
  - MATERIAL: 16 GA. 304 STAINLESS STEEL
  - 16 GA. MILL FINISHED GALVANIZED STEEL
  - 16 GA. PAINTABLE GALVANEALD STEEL
  - METAL CLAD WOOD FRAME - TWO PART FRAME \_\_\_\_\_
  - JAMB THICKNESS? \_\_\_\_\_ INCHES
  - METAL: STAINLESS STEEL
  - GALVANIZED STEEL
  - WHITE PAINTED GALVANIZED STEEL
- OPTIONS
  - PASSAGE LATCH - PDQ GT SERIES LEVER
  - SECURITY LOCK SET - PDQ XGT SERIES LEVER - ANSI F81
  - ROCKWELL 70B STAINLESS STEEL PUSH PLATE AND PULL HANDLE
  - PANIC BAR - DORMA 9300 SERIES, E.O., STAINLESS STEEL
  - DORMA YR08 EXTERIOR LEVER, STAINLESS STEEL
  - KICK PLATE - WEILAND, INC. - 16 ga.
  - GALVANIZED STEEL  STAINLESS STEEL
  - BOTH SIDES  HEIGHT \_\_\_\_\_
  - THRESHOLD - NATIONAL GUARD ALUMINUM - WEILAND STAINLESS
  - WEATHER SEAL - NATIONAL GUARD 5050-C, SELF SEAL
  - SWEEP SEAL - WEILAND INC
  - VISION PANEL - WEILAND STAINLESS STEEL FRAME
  - SIZE 12" X 18"  20" X 32"
  - LAMINATED GLASS  1/2" INSULATED GLASS
  - 1/4" SCRATCH RESISTANT POLYCARBONATE
  - HD CLOSER - DORMA 8900 SERIES STAINLESS STEEL ARM
  - SD CLOSER - NORTON 7500
  - HALF SURFACE HINGES - WEILAND
  - NOTE: FOR MOUNTING DOOR IN PRIME PAINTED STEEL FRAME MFG. BY OTHERS.
  - STAINLESS STEEL LOUVER - WEILAND
  - STAINLESS STEEL CENTER ASTRAGAL - WEILAND INC
  - STAINLESS STEEL SURFACE BOLTS - ROCKWOOD 585
  - CENTER MULLION - WEILAND INC
  - U.S.D.A. APPROVAL

CHANGES, REMARKS, ETC. \_\_\_\_\_

APPROVED BY \_\_\_\_\_

DATE \_\_\_\_\_

**Weiland**  
 DOUBLE PERSONNEL DOOR  
 WEILAND INC.  
 55242 HIGHWAY 32  
 MADISON, NE 68748-6136  
 (402) 454-2106  
 www.weilanddoors.com