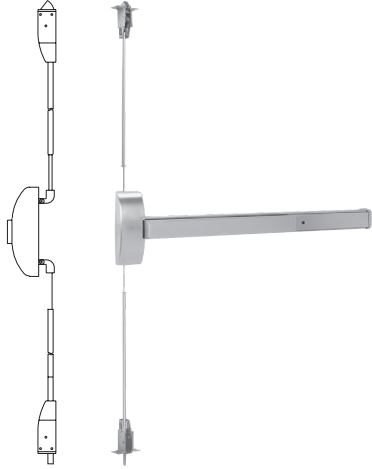
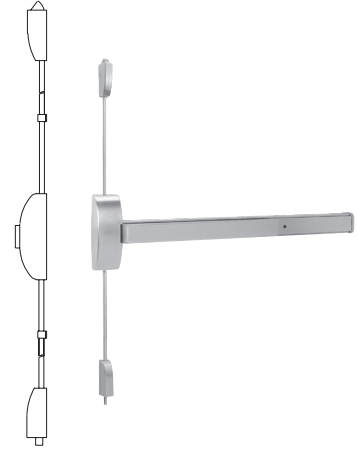


DORMA 9000 SERIES EXIT DEVICES



9100 Concealed Vertical Rod



9400 Surface Vertical Rod



9300 Rim Device



9500 Mortise Device



Applications

DORMA's heavy duty cast chassis provides superior durability, and smooth operation. Its reduced projection touch bar minimizes catch hazards. Partial length touchpad permits cylinder dogging and fire alarms.

Certifications

- ANSI/BHMA 156.3 Grade 1 certified.
- UL and CUL listed.
- Meets UL 10B and 10C for positive pressure.
- Complies with NFPA 101 life safety code.
- Fire rated devices comply with NFPA 80 fire doors and windows.
- Meets ANSI/BHMA A117.1 and ADA for barrier-free accessibility.
- CSFM approved.
- Contributes to U.S. Green Building Council, LEED MR Credits 2.1, 4.1, 4.2 and 5.1.



Door Range

24"-48" (varies by application and selected options. Consult product brochure for full details).

Finishes

Architectural Finishes

- Brass: 605 (Bright) or 606 (Satin)
- Bronze: 611 (Bright), 612 (Satin), or 613 (Oxidized Satin Oil Rubbed)
- Nickel: 619 (Satin)
- Chrome: 625 (Bright) or 626 (Satin)
- Stainless Steel: 630 (Satin)

Powder Coated Finishes

- Aluminum: 689
- Bronze: 691 (Dull) or 695 (Dark Duranodic)
- Black: 693
- Gold: 696
- Clear Powder Coating: Specify **P**

Antimicrobial Protected Coating

Specify **AM**

Exit Device Models

- Concealed Vertical Rod (9100/F9100)
- Rim with or without mullion (9300/F9300)
- Surface Vertical Rod (9400/F9400)
- Mortise (9500/F9500)

DORMA Solutions

- Corrosion-resistant, heavy-duty gage stainless steel offered standard.
- 9 separate electronic monitoring and control options for managing critical access/ egress control applications.
- Choose from 14 ANSI/BHMA standard architectural finishes, or dozens of DORMA Custom RAL colors, or, for those unique interior designs, DORMA's Designer Color special color matching system.
- Hundreds of trim and lever styles and finish combinations to satisfy the most demanding interior design requirement.
- Antimicrobial protected coating when ultra clean environments are specified.

- Clear powder coating for outdoor or highly corrosive environments that need added protection. Also minimizes the appearance of fingerprints.

Special Application Assistance

Please contact DORMA Technical Services at 800-523-8483.

Warranty

For details, refer to **DORMA Limited Warranty** on our website at go.dorma.com/terms.

DORMA USA quality and environmental management systems in Reamstown, PA and Steeleville, IL are certified to ISO 9001:2008 and ISO 14001:2004.



Intertek



Intertek

Functions

9100/9300/9400/9500

ANSI	Description
01	Exit Only – No Trim
02	Entrance by trim when actuating bar is locked down.
03	Entrance by trim when latch bolt is retracted by key. Key removable only when locked.
04	Entrance by trim when latch bolt is retracted by key or set in retracted position by key.
05	Entrance by thumbpiece. Key locks or unlocks thumbpiece.
06	Entrance by thumbpiece only when released by key. Key removable only when locked.
08	Entrance by knob or lever. Key locks or unlocks knob or lever.
08x08	Entrance by lever. OS or IS key locks or unlocks lever.
09	Entrance by knob or lever only when released by key. Key removable only when locked.
22	Entrance by thumbpiece (no cylinder). Trim always active.
23	Entrance by knob or lever (no cylinder). Trim always active.

DORMA USA, Inc.
 Dorma Drive, Drawer AC
 Reamstown, PA 17567
 Tel: 800 523 8483
 Fax: 800 274 9724
www.dorma.com